

MicroEdge Plug-In LTE/4G Tech-Note

Plug-in with LTE/4G Connectivity

- Supports LTE (4G) FDD/TDD, UMTS DC-HSDPA/HSUPA/WCDMA, GSM GPRS/EDGE
- Worldwide connectivity
- GNSS for geolocation
- Digital I/O Integrated
- Compatible with operation of Corvina secure service



Highlights

The MicroEdge Series Gateway can be expanded with plug-in modules to enhance functionality for industrial applications.

The MicroEdge Plug-In LTE/4G is a durable module providing global connectivity through LTE cellular networks. It acts as a 4G wireless modem, enabling internet access for industrial systems.

This module features 2 digital inputs and 2 digital outputs, supporting basic control applications directly related to connectivity.

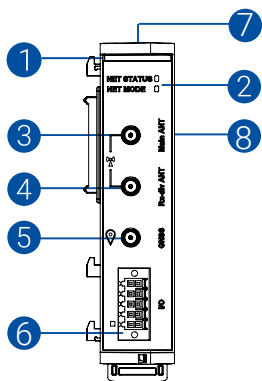
When combined with Corvina Remote Services, the MicroEdge Plug-In LTE/4G facilitates the implementation of essential IIoT functions and can establish a secure VPN to protect access to field devices.

MicroEdge Plug-In LTE/4G Tech-Note

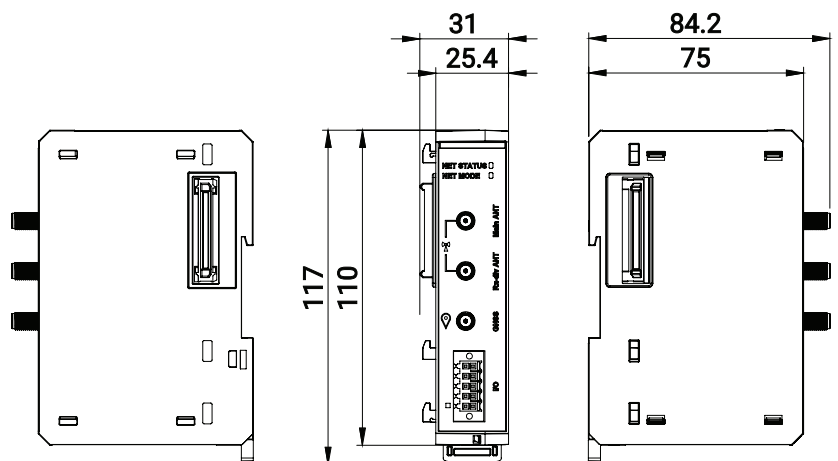


Cellular Technology	
Frequency Bands	LTE FDD: B1/B2/B3/B4/B5/B7/B8/B12/B13/B18/B19/B20/B26/B28 LTE TDD: B38/B39/B40/B41 WCDMA: B1/B2/B4/B5/B8/B6/B19 GSM: B2/B3/B5/B8
Transmission Data	LTE FDD: Max 150Mbps (DL)/Max 50Mbps (UL) LTE TDD: Max 130Mbps (DL)/Max 35Mbps (UL) UMTS: DC-HSDPA: Max 42Mbps (DL) UMTS: HSUPA: Max 5.76Mbps (UL) UMTS: WCDMA: Max 384Kbps (DL)/Max 384Kbps (UL) GSM: EDGE: Max 296Kbps (DL)/Max 236.8Kbps (UL) GSM: GPRS: Max 107Kbps (DL)/Max 85.6Kbps (UL)
Power output	Class 3 (23dBm±2dB) for LTE FDD Class 3 (23dBm±2dB) for LTE TDD Class 3 (24dBm+1/-3dB) for TD-SCDMA Class 3 (24dBm+1/-3dB) for WCDMA Class E2 (27dBm±3dB) for EDGE 850/900MHz Class E2 (26dBm+3/-4dB) for EDGE 1800/1900MHz Class 4 (33dBm±2dB) for GSM 850/900MHz Class 1 (30dBm±2dB) for GSM 1800/1900MHz
Interface	
Antenna	50Ω, RP-SMA Female connectors
Digital inputs	2 (24Vdc with optical isolation)
Digital outputs	2 (SSR with optical isolation)
LED	1 RGB, 2 green (net status)
SIM slot	microSIM
GNSS	GPS, GLONASS, BeiDou/Compass, Galileo, QZSS
Environment Conditions	
Operating Temperature	-20°C to +60°C
Storage Temperature	-30°C to +70°C
Operating / Storage Humidity	5 - 85% RH, non condensing
Protection Class	IP20
Dimensions and Weight	
WxHxD	110 + 7 mm (4.33" + 0.28")
Width (W)	25.4 mm + 5.6 mm (1" + 0.22")
Depth (D)	75 mm + 9.2 mm (2.95" + 0.36")
Weight	0.140 Kg
Approvals	
CE	Radio Equipment Directive 2014/53/EU (RED)
FCC	FCC Part 15 Subpart B Class A / FCC Part 15 Subpart C Class A
IC	ICES-003 ISSUE 7 CLASS A / IC RSS-247 Issue 3 and RSS-Gen Issue 5
UL*	UL61010-1 / UL61010-2-201
RCM	Yes

* Planned



1. LED Indicator: Device status
2. LED Indicators: Net status/Net mode
3. LTE Main Antenna
4. LTE RX Diversity Antenna
5. GNSS Antenna
6. Inputs / Outputs
7. microSIM Slot
8. Expansion slots for plug-in modules



Ordering Information

Model	Part Number	Description
MicroEdge Plug-In LTE	105006700U-0003	MicroEdge Plug-In LTE XMP-011